

DILA actuating voltages

1

		With screw terminals			with spring-loaded terminals		
		DILA-22(...)	DILA-31(...)	DILA-40(...)	DILAC-22(...)	DILAC-31(...)	DILAC-40(...)
		Article no.	Article no.	Article no.	Article no.	Article no.	Article no.
Standard voltages							
AC	24V50HZ	276386	276351	276316	276495	276463	276431
	48V50HZ	276387	276352	276317	276496	276464	276432
	240V50HZ	276388	276353	276318			
	24V60HZ	276390	276355	276320			
	115V60HZ	276392	276357	276322			
	208V60HZ	276393	276358	276323			
	380V60HZ	158130	158136	158141			
	600V60HZ	276394	276359	276324			
	42V50HZ,48V60HZ	276395	276360	276325			
	110V50HZ,120V60HZ	276396	276361	276326	276502	276470	276438
	190V50HZ,220V60HZ	276397	276362	276327			
	220V50HZ,240V60HZ	276398	276363	276328			
	240V50HZ,277V60HZ	158129	158135	158140			
	380V50HZ,440V60HZ	276400	276365	276330			
	400V50HZ,440V60HZ	276401	276366	276331			
	415V50HZ,480V60HZ	276402	276367	276332			
	550V50HZ,600V60HZ	158131	158137	158142			
	12V50/60HZ	158128	158134	158139			
	24V50/60HZ	276403	276368	276333	276509	276477	276445
	42V50/60HZ	276404	276369	276334			
	110V50/60HZ	276405	276370	276335			
	220V50/60HZ	276406	276371	276336			
	230V50/60HZ	276407	276372	276337	276513	276481	276449
380V50/60HZ	276408	276373	276338				
TVC100 ²⁾	276409	276374	276339				
TVC200 ³⁾	276410	276375	276340				
DC	12VDC	276413	276378	276343			
	48VDC	276415	276380	276345			
	60VDC	276416	276381	276346			
	110VDC	276417	276382	276347	276523	276491	276459
	120VDC	158127	158133	158138			
	220VDC	276418	276383	276348	276524	276492	276460
Non-standard voltages with the exception of the given standard voltages¹⁾							
AC	*V50HZ(12 - 500V)	276411	276376	276341	276517	276485	276453
	*V60HZ(12 - 600V)	276412	276377	276342	276518	276486	276454
DC	*VDC(12 - 250V)	276419	276384	276349	276525	276493	276461

Notes

To obtain the article number for ordering, read under selected part number and actuating voltage from the table.

Devices with dual-voltage coils must be ordered under a single article no.

¹⁾ * = required actuating voltage from the specified range(...-...V); minimum order quantity 10 pcs.

²⁾ TVC100 = 100 V, 50Hz / 100 - 110 V, 60 Hz; voltage tolerance: (0.85 - 1.1) x U_c

³⁾ TVC200 = 200 V, 50Hz / 200 - 220 V, 60 Hz; voltage tolerance: (0.85 - 1.1) x U_c

AC operation

DC operation

Type
Article no.

Std. pack

Circuit symbol

Type
Article no.

Std. pack

Notes

DILA-40(230V50HZ,240V60HZ)
276329

1 pc.



DILA-40(24VDC)
276344

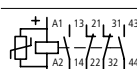
1 pc.

DILA-31(230V50HZ,240V60HZ)
276364

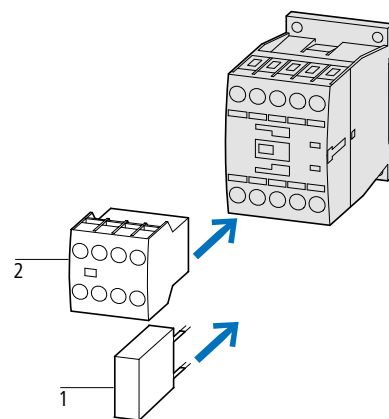


DILA-31(24VDC)
276379

DILA-22(230V50HZ,240V60HZ)
276399



DILA-22(24VDC)
276414



Accessories	Page
1 Suppressor	→ 1/64
2 Auxiliary contact module	→ 1/16
Further actuating voltages	→ 1/14

DILAC-40(230V50HZ,240V60HZ)
276441

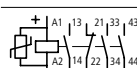
1 pc.



DILAC-40(24VDC)
276456

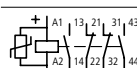
1 pc.

DILAC-31(230V50HZ,240V60HZ)
276473

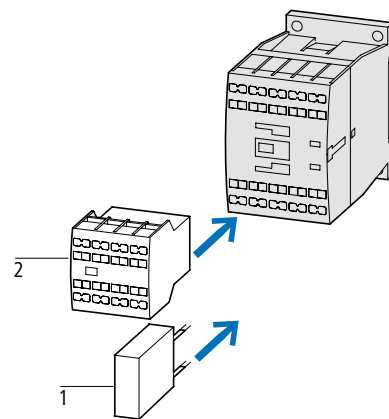


DILAC-31(24VDC)
276488

DILAC-22(230V50HZ,240V60HZ)
276505



DILAC-22(24VDC)
276520



Accessories	Page
1 Suppressor	→ 1/64
2 Auxiliary contact module	→ 1/16
Further actuating voltages	→ 1/14

in conjunction with SmartWire-DT module → Page 1/72