

Product datasheet

Specifications



Limit switch, Limit switches XC Standard, XCJ, steel end plunger, 1C/O

XCJ110

❗ Discontinued on: 25 January 2022

❗ End-of-service on: 30 June 2022

❗ Discontinued

Main

Range of product	OsiSense XC
Series name	Asie
Product or component type	Limit switch
Product specific application	Light to medium duty
Device short name	XCJ
Body type	Fixed
Head type	Plunger head
Material	Plastic
Fixing mode	By the body
Movement of operating head	Linear
Type of operator	Spring return plunger steel
Switch actuation	On end
Type of approach	Vertical approach, 1 direction
Electrical connection	Screw-clamp terminals
Cable entry	1 flexible rubber cable gland, cable outer diameter: 8.5...10.5 mm
Number of poles	1
Contact operation	Snap action
Positive opening	Without
Maximum force for tripping	5.88 N

Complementary

Contacts insulation form	C
Minimum release force	0.98 N
Minimum actuation speed	0.01 mm/s
Maximum actuation speed	0.5 m/s
Maximum operating rate	120 cyc/mn
Contact code designation	A300, AC (Ue = 240 V), Ie = 10 A, Ithe = 10 A conforming to IEC 60947-5-1 R300, DC (Ue = 220 V), Ie = 0.3 A conforming to IEC 60947-5-1

Maximum resistance across terminals	25 MOhm
[Uimp] rated impulse withstand voltage	4 kV conforming to EN/IEC 60664
Electrical durability	800000 cycles, AC, 10 A, 220 V
Mechanical durability	10000000 cycles
Width	21 mm
Height	42 mm
Depth	54 mm
Net weight	0.081 kg
Terminals description ISO n°1	(NO-NC-C)OF

Environment

Shock resistance	10 gn for 11 ms conforming to IEC 60068-2-27
Vibration resistance	+/- 3 mm (f= 10...55 Hz) conforming to IEC 60068-2-6
IP degree of protection	IP40 conforming to IEC 60529
Electrical shock protection class	Class II conforming to EN/IEC 60947-5-1
Ambient air temperature for operation	-10...80 °C
Product certifications	UL recognized
Standards	UL 1054

Packing Units

Unit Type of Package 1	Db
Number of Units in Package 1	1
Package 1 Height	2.187 cm
Package 1 Width	6.541 cm
Package 1 Length	6.886 cm
Package 1 Weight	91 g

Offer Sustainability

EU RoHS Directive	Pro-active compliance (Product out of EU RoHS legal scope) EU RoHS Declaration
Mercury free	Yes
RoHS exemption information	Yes
Environmental Disclosure	Product Environmental Profile

Contractual warranty

Warranty	18 months
----------	-----------

Recommended replacement(s)

XCJ110 is replaced by:

1x



Metal end plunger
XCJ110C

Product datasheet

Specifications



limit switch XCKJ - steel roller plunger reinforced - 1NC+1NO - snap - M20

XCKJ167H29

Main

Range of product	Telemecanique Limit switches XC Standard
Series name	Standard format
Product or component type	Limit switch
Device short name	XCKJ
Sensor design	Form C conforming to CENELEC EN 50041
Body type	Fixed
Head type	Plunger head
Material	Metal
Body material	Zamak
Head material	Zamak
Fixing mode	By the body
Movement of operating head	Linear
Type of operator	Spring return roller plunger metal reinforced
Type of approach	Lateral approach, 2 directions
Cable entry	1 entry tapped for M20 x 1.5 cable gland, cable outer diameter: 7...13 mm
Number of poles	2
Contacts type and composition	1 NC + 1 NO
Contact operation	Snap action

Complementary

Switch actuation	By 30° cam
Electrical connection	Screw-clamp terminals, clamping capacity: 1 x 0.34...2 x 1.5 mm ²
Contacts insulation form	Zb
Number of steps	1
Positive opening	With
Positive opening minimum force	40 N
Minimum force for tripping	16 N
Maximum actuation speed	1 m/s
[Ie] rated operational current	3 A at 240 V, AC-15, A300 conforming to EN/IEC 60947-5-1 appendix A

[I_{the}] conventional enclosed thermal current	10 A
[U_i] rated insulation voltage	300 V conforming to UL 508 500 V (pollution degree 3) conforming to IEC 60947-1 300 V conforming to CSA C22.2 No 14
Maximum resistance across terminals	25 MOhm conforming to IEC 60255-7 category 3
[U_{imp}] rated impulse withstand voltage	6 kV conforming to IEC 60664 6 kV conforming to IEC 60947-1
Short-circuit protection	10 A cartridge fuse, type gG
Electrical durability	5000000 cycles, DC-13, inductive load type, 120 V, 4 W, operating rate <60 cyc/mn, load factor: 0.5 conforming to IEC 60947-5-1 appendix C 5000000 cycles, DC-13, inductive load type, 24 V, 10 W, operating rate <60 cyc/mn, load factor: 0.5 conforming to IEC 60947-5-1 appendix C 5000000 cycles, DC-13, inductive load type, 48 V, 7 W, operating rate <60 cyc/mn, load factor: 0.5 conforming to IEC 60947-5-1 appendix C
Mechanical durability	25000000 cycles
Width	40 mm
Height	77 mm
Depth	44 mm
Net weight	0.455 kg
Terminals description ISO n°1	(21-22)NC (13-14)NO

Environment

Shock resistance	50 gn for 11 ms conforming to IEC 60068-2-27
Vibration resistance	25 gn (f= 10...500 Hz) conforming to IEC 60068-2-6
IP degree of protection	IP66 conforming to IEC 60529
IK degree of protection	IK07 conforming to EN 50102
Overvoltage category	Class I conforming to IEC 61140 Class I conforming to NF C 20-030
Ambient air temperature for operation	-25...70 °C
Ambient air temperature for storage	-40...70 °C
Protective treatment	TH
Product certifications	UL CSA CCC
Standards	CSA C22.2 No 14 EN 60204-1 UL 508 IEC 60947-5-1 CENELEC EN 50041 EN 60947-5-1 IEC 60204-1

Packing Units

Unit Type of Package 1	Db
Number of Units in Package 1	1
Package 1 Height	4.4 cm
Package 1 Width	6.6 cm
Package 1 Length	12.8 cm
Package 1 Weight	446.0 g

Unit Type of Package 2	S02
Number of Units in Package 2	18
Package 2 Height	15.0 cm
Package 2 Width	30.0 cm
Package 2 Length	40.0 cm
Package 2 Weight	8.535 kg
Unit Type of Package 3	P06
Number of Units in Package 3	288
Package 3 Height	77.0 cm
Package 3 Width	60.0 cm
Package 3 Length	80.0 cm
Package 3 Weight	145.092 kg

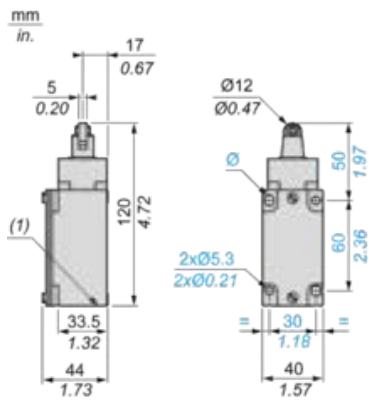
Offer Sustainability

Sustainable offer status	Green Premium product
REACH Regulation	REACH Declaration
EU RoHS Directive	Pro-active compliance (Product out of EU RoHS legal scope) EU RoHS Declaration
Mercury free	Yes
RoHS exemption information	Yes
Environmental Disclosure	Product Environmental Profile

Contractual warranty

Warranty	18 months
-----------------	-----------

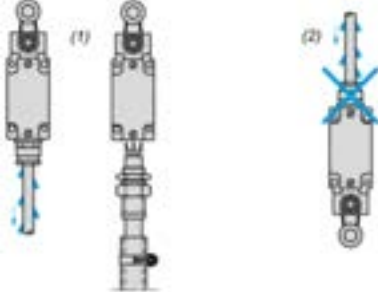
Dimensions



(1) 1 tapped entry M20 x 1.5

Mounting with Cable Entry

Position of Cable Gland



- (1) Recommended
- (2) To be avoided

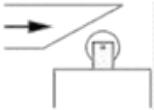
Wiring Diagram

2-pole NC + NO Snap Action

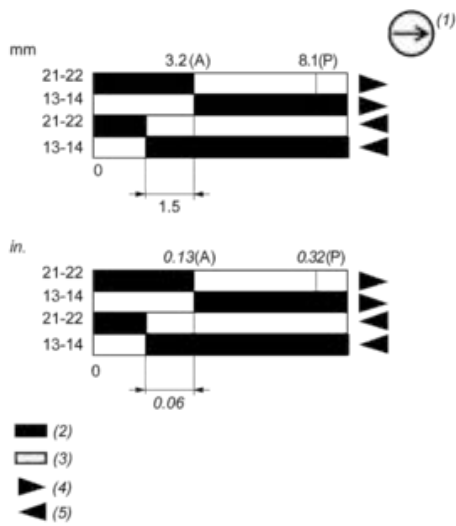


Characteristics of Actuation

Switch Actuation by 30° Cam



Functionnal Diagram



(P) Positive opening point

(A) Cam displacement

(1) NC contact with positive opening operation

(2) Closed

(3) Open

(4) Tripping

(5) Resetting

Recommended replacement(s)

Product datasheet

Specifications



limit switch XCKJ - steel roller lever - 1NC+1NO - snap action - M20

XCKJ10513H29LC

Main

Range of product	Telemecanique Limit switches XC Standard
Series name	Standard format
Product or component type	Limit switch
Device short name	XCKJ
Sensor design	Form A conforming to CENELEC EN 50041
Body type	Fixed
Head type	Rotary head
Material	Metal
Body material	Zamak
Head material	Zamak
Fixing mode	By the body
Movement of operating head	Rotary
Type of operator	Spring return roller lever metal
Type of approach	Lateral approach, 1 or 2 programmable direction
Cable entry	1 entry tapped for M20 x 1.5 cable gland, cable outer diameter: 7...13 mm
Number of poles	2
Contacts type and composition	1 NC + 1 NO
Contact operation	Snap action

Complementary

Switch actuation	By 30° cam
Electrical connection	Screw-clamp terminals, clamping capacity: 1 x 0.34...2 x 1.5 mm ²
Contacts insulation form	Zb
Number of steps	1
Positive opening	With
Positive opening minimum torque	0.5 N.m
Minimum torque for tripping	0.25 N.m
Maximum actuation speed	1.5 m/s
[Ie] rated operational current	3 A at 240 V, AC-15, A300 conforming to EN/IEC 60947-5-1 appendix A

[I_{the}] conventional enclosed thermal current	10 A
[U_i] rated insulation voltage	300 V conforming to UL 508 500 V (pollution degree 3) conforming to IEC 60947-1 300 V conforming to CSA C22.2 No 14
Maximum resistance across terminals	25 MOhm conforming to IEC 60255-7 category 3
[U_{imp}] rated impulse withstand voltage	6 kV conforming to IEC 60664 6 kV conforming to IEC 60947-1
Short-circuit protection	10 A cartridge fuse, type gG
Electrical durability	5000000 cycles, DC-13, inductive load type, 120 V, 4 W, operating rate <60 cyc/mn, load factor: 0.5 conforming to IEC 60947-5-1 appendix C 5000000 cycles, DC-13, inductive load type, 24 V, 10 W, operating rate <60 cyc/mn, load factor: 0.5 conforming to IEC 60947-5-1 appendix C 5000000 cycles, DC-13, inductive load type, 48 V, 7 W, operating rate <60 cyc/mn, load factor: 0.5 conforming to IEC 60947-5-1 appendix C
Mechanical durability	30000000 cycles
Width	40 mm
Height	77 mm
Depth	44 mm
Net weight	0.49 kg
Terminals description ISO n°1	(13-14)NO (21-22)NC

Environment

Shock resistance	50 gn for 11 ms conforming to IEC 60068-2-27
Vibration resistance	25 gn (f= 10...500 Hz) conforming to IEC 60068-2-6
IP degree of protection	IP66 conforming to IEC 60529
IK degree of protection	IK07 conforming to EN 50102
Overvoltage category	Class I conforming to IEC 61140 Class I conforming to NF C 20-030
Ambient air temperature for operation	-25...70 °C
Ambient air temperature for storage	-40...70 °C
Protective treatment	TH
Product certifications	CCC CSA UL
Standards	CENELEC EN 50041 UL 508 IEC 60947-5-1 IEC 60204-1 EN 60204-1 CSA C22.2 No 14 EN 60947-5-1

Packing Units

Unit Type of Package 1	Db
Number of Units in Package 1	1
Package 1 Height	12.6 cm
Package 1 Width	4.1 cm
Package 1 Length	6.8 cm
Package 1 Weight	509.27 g

Offer Sustainability

REACH Regulation	REACH Declaration
EU RoHS Directive	Pro-active compliance (Product out of EU RoHS legal scope) EU RoHS Declaration
Mercury free	Yes
RoHS exemption information	Yes

Recommended replacement(s)

Product datasheet

Specifications



limit switch XCKMR - stay put crossed rods lever 6mm - 2x(2 NC) - slow - M20

XCKMR54D1H29

Main

Range of product	OsiSense XC
Series name	Special format
Product or component type	Limit switch
Product specific application	For hoisting and mechanical handling applications
Device short name	XCKMR
Body type	Fixed
Head type	Rotary head
Material	Metal
Body material	Zamak
Head material	Zamak
Fixing mode	By the body
Movement of operating head	Rotary
Type of operator	Stay put crossed rods lever metal square rod 6 mm, L = 200 mm
Type of approach	Lateral approach, 2 directions
Cable entry	3 entries tapped for M20 x 1.5 cable gland, cable outer diameter: 7...13 mm
Number of poles	4
Contacts type and composition	2 x (2 NC)
Contact operation	Slow-break, staggered

Complementary

Switch actuation	By any moving part
Electrical connection	Screw-clamp terminals, clamping capacity: 1 x 0.5...2 x 2.5 mm ²
Contacts insulation form	Zb
Number of steps	5 electrical positions
Contact block per direction [control circuit]	1 per direction
Positive opening	With
Positive opening minimum torque	0.75 N.m
Minimum torque for tripping	0.5 N.m

Minimum actuation speed	6 m/min
Maximum actuation speed	1.5 m/s actuation point on the rod between 65 and 95 mm
Maximum displacement angle	-180 ° 180 °
Contact code designation	A300, AC-15 (Ue = 240 V), Ie = 3 A, Ithe = 10 A conforming to EN/IEC 60947-5-1 appendix A Q150, DC-13 (Ue = 125 V), Ie = 0.55 A conforming to EN/IEC 60947-5-1 appendix A
[Ui] rated insulation voltage	300 V conforming to UL 508 300 V conforming to CSA C22.2 No 14 500 V (pollution degree 3) conforming to EN/IEC 60947-1
Maximum resistance across terminals	25 MOhm conforming to IEC 60255-7 category 3
[Uimp] rated impulse withstand voltage	6 kV conforming to IEC 60664 6 kV conforming to EN/IEC 60947-1
Short-circuit protection	10 A cartridge fuse, type gG
Mechanical durability	2000000 cycles
Width	200 mm
Height	118 mm
Depth	59 mm
Net weight	0.55 kg
Terminals description ISO n°1	(11-12)NC (21-22)NC

Environment

Shock resistance	50 gn conforming to EN/IEC 60068-2-27
Vibration resistance	25 gn (f= 10...500 Hz) conforming to EN/IEC 60068-2-6
IP degree of protection	IP66 conforming to EN/IEC 60529
IK degree of protection	IK07 conforming to EN 50102
Electrical shock protection class	Class I conforming to IEC 60536
Ambient air temperature for operation	-40...70 °C
Ambient air temperature for storage	-40...85 °C
Protective treatment	TC
Product certifications	CSA UL CCC CE
Standards	EN/IEC 60947-5-1 CSA C22.2 No 14 UL 508

Packing Units

Unit Type of Package 1	Db
Number of Units in Package 1	1
Package 1 Height	9.500 cm
Package 1 Width	8.000 cm
Package 1 Length	20.000 cm
Package 1 Weight	745.000 g
Unit Type of Package 2	S02
Number of Units in Package 2	6

Package 2 Height	15.000 cm
Package 2 Width	30.000 cm
Package 2 Length	40.000 cm
Package 2 Weight	4.979 kg
Unit Type of Package 3	P06
Number of Units in Package 3	96
Package 3 Height	77.000 cm
Package 3 Width	80.000 cm
Package 3 Length	60.000 cm
Package 3 Weight	87.492 kg

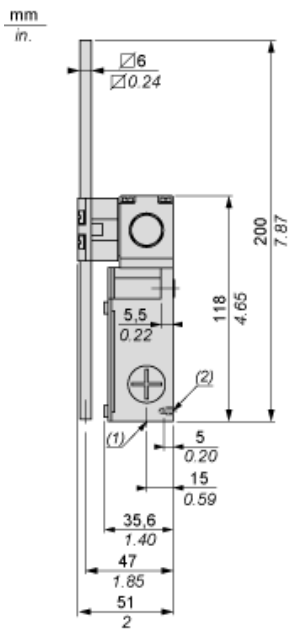
Offer Sustainability

Sustainable offer status	Green Premium product
REACH Regulation	REACH Declaration
EU RoHS Directive	Pro-active compliance (Product out of EU RoHS legal scope) EU RoHS Declaration
Mercury free	Yes
RoHS exemption information	Yes
Environmental Disclosure	Product Environmental Profile

Contractual warranty

Warranty	18 months
----------	-----------

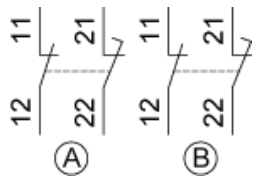
Dimensions



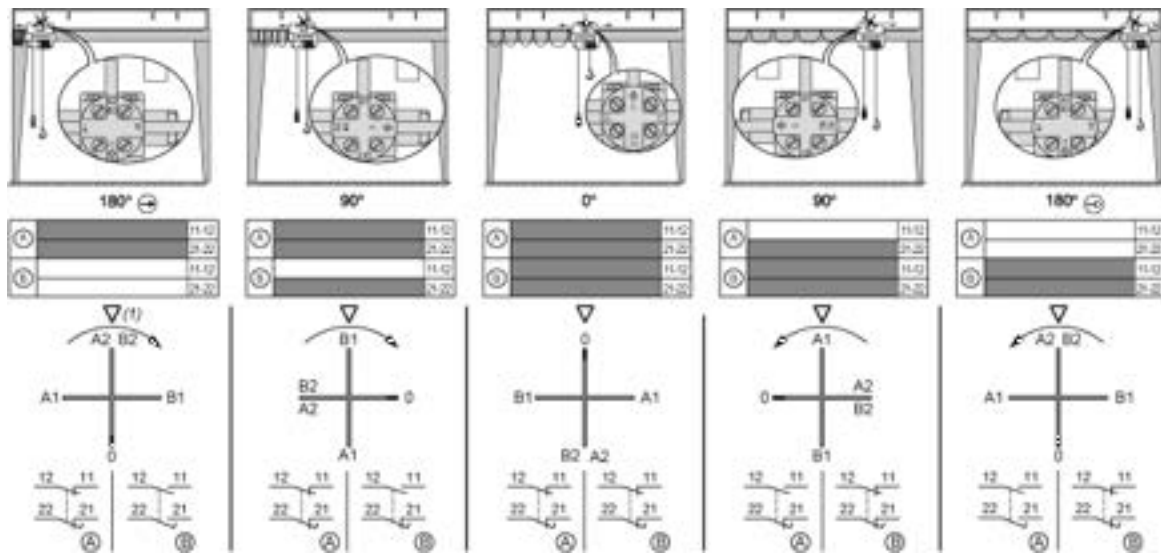
- (1) 3 tapped entries ISO M20x1.5
- (2) 2 centring holes Ø 3.9 ± 0.2, for cover fixing holes alignment.

Wiring Diagram

2 x 2-pole NC+NC Break Before Make, Slow Break (Non Interchangeable Contacts)



Functionnal Diagram



(1) Triangle symbol marked on top of head.

Recommended replacement(s)

Product datasheet

Specifications



limit switch XCKN - metal end plunger - 1NC+1NO - snap - Pg11

XCKN2110G11

Main

Range of product	Telemecanique Limit switches XC Standard
Series name	Standard format
Product or component type	Limit switch
Device short name	XCKN
Sensor design	Compact form B
Body type	Fixed
Head type	Plunger head
Material	Plastic
Body material	Plastic
Head material	Plastic
Fixing mode	By the body
Movement of operating head	Linear
Type of operator	Spring return plunger metal
Type of approach	Vertical approach, 1 direction
Cable entry	1 entry tapped for Pg 11 cable gland
Number of poles	2
Contacts type and composition	1 NC + 1 NO
Contact operation	Snap action

Complementary

Switch actuation	On end
Electrical connection	Screw-clamp terminals, clamping capacity: 1 x 0.34...2 x 1.5 mm ²
Contacts insulation form	Zb
Positive opening	With
Positive opening minimum force	30 N
Minimum force for tripping	15 N
Minimum actuation speed	0.01 m/min
Maximum actuation speed	0.5 m/s
Repeat accuracy	0.1 mm on the tripping points with 1 million operating cycles

Contact code designation	A300, AC-15 (Ue = 240 V), Ie = 3 A, Ithe = 10 A conforming to EN/IEC 60947-5-1 appendix A R300, DC-13 (Ue = 250 V), Ie = 0.1 A conforming to EN/IEC 60947-5-1 appendix A
[Ui] rated insulation voltage	300 V conforming to UL 508 500 V (pollution degree 3) conforming to IEC 60947-1 300 V conforming to CSA C22.2 No 14
[Uimp] rated impulse withstand voltage	6 kV conforming to IEC 60664 6 kV conforming to IEC 60947-1
Short-circuit protection	10 A cartridge fuse, type gG
Electrical durability	5000000 cycles, DC-13, 120 V, 4 W, operating rate <60 cyc/mn, load factor: 0.5 conforming to IEC 60947-5-1 appendix C 5000000 cycles, DC-13, 24 V, 10 W, operating rate <60 cyc/mn, load factor: 0.5 conforming to IEC 60947-5-1 appendix C 5000000 cycles, DC-13, 48 V, 7 W, operating rate <60 cyc/mn, load factor: 0.5 conforming to IEC 60947-5-1 appendix C
Mechanical durability	10000000 cycles
Width	30 mm
Height	75 mm
Depth	30 mm
Net weight	0.135 kg
Terminals description ISO n°1	(21-22)NC (13-14)NO

Environment

Shock resistance	45 gn for 11 ms conforming to IEC 60068-2-27
Vibration resistance	25 gn (f= 10...500 Hz) conforming to IEC 60068-2-6
IP degree of protection	IP65 conforming to IEC 60529
IK degree of protection	IK04 conforming to EN 50102
Overvoltage category	Class II conforming to IEC 61140 Class II conforming to NF C 20-030
Ambient air temperature for operation	-25...70 °C
Ambient air temperature for storage	-40...70 °C
Protective treatment	TC
Product certifications	CCC UL CSA
Standards	UL 508 EN 60204-1 CSA C22.2 No 14 IEC 60947-5-1 IEC 60204-1 EN 60947-5-1

Packing Units

Unit Type of Package 1	Db
Number of Units in Package 1	1
Package 1 Height	3.0 cm
Package 1 Width	3.0 cm
Package 1 Length	8.0 cm
Package 1 Weight	63.0 g
Unit Type of Package 2	Gyári csomagolás
Number of Units in Package 2	20
Package 2 Height	11.0 cm

Package 2 Width	12.8 cm
Package 2 Length	16.8 cm
Package 2 Weight	1.44 kg
Unit Type of Package 3	S02
Number of Units in Package 3	80
Package 3 Height	15.0 cm
Package 3 Width	30.0 cm
Package 3 Length	40.0 cm
Package 3 Weight	5.834 kg

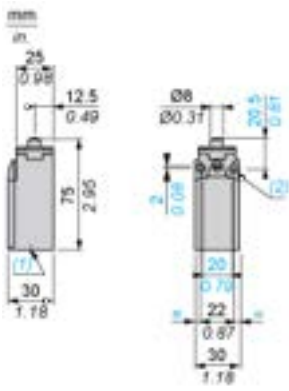
Offer Sustainability

Sustainable offer status	Green Premium product
REACH Regulation	REACH Declaration
EU RoHS Directive	Pro-active compliance (Product out of EU RoHS legal scope) EU RoHS Declaration
Mercury free	Yes
RoHS exemption information	Yes
Environmental Disclosure	Product Environmental Profile

Contractual warranty

Warranty	18 months
----------	-----------

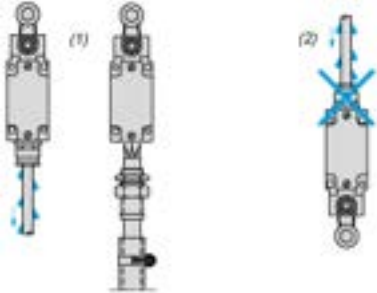
Dimensions



- (1) 1 tapped entry for Pg 11 cable gland
- (2) Ø: 2 elongated holes Ø 4.3 x 6.3 on 22 mm centres, 2 holes Ø 4.3 on 20 mm centres.

Mounting with Cable Entry

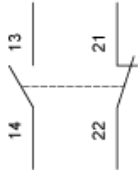
Position of Cable Gland



- (1) Recommended
- (2) To be avoided

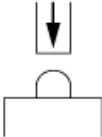
Wiring Diagram

2-pole NC + NO Snap Action

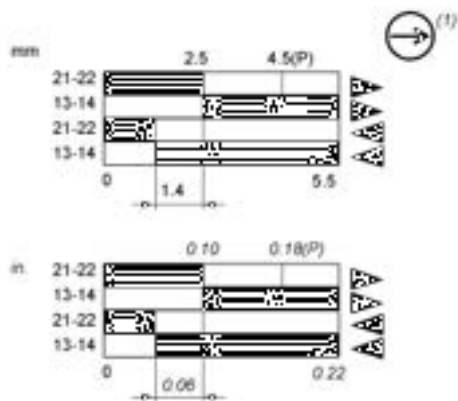


Characteristics of Actuation

Switch Actuation on End



Functionnal Diagram



- (2)
- (3)
- (4)
- (5)

- (P) Positive opening point
- (1) NC contact with positive opening operation
- (2) Closed
- (3) Open
- (4) Tripping
- (5) Resetting

Recommended replacement(s)

Product datasheet

Specifications



limit switch XCKP - metal end plunger - 1NC+1NO - snap - Pg11

XCKP2110G11

Main

Range of product	Telemecanique Limit switches XC Standard
Series name	Standard format
Product or component type	Limit switch
Device short name	XCKP
Sensor design	Compact form B conforming to CENELEC EN 50047
Body type	Fixed
Head type	Plunger head
Material	Plastic
Body material	Plastic
Head material	Zamak
Fixing mode	By the body
Movement of operating head	Linear
Type of operator	Spring return plunger metal
Type of approach	Vertical approach, 1 direction
Number of poles	2
Contacts type and composition	1 NC + 1 NO
Contact operation	Snap action

Complementary

Switch actuation	On end
Electrical connection	Screw-clamp terminals, clamping capacity: 1 x 0.34...2 x 1.5 mm ²
Cable entry	1 entry tapped for Pg 11 cable gland
Contacts insulation form	Zb
Positive opening	With
Positive opening minimum force	45 N
Minimum force for tripping	15 N
Minimum actuation speed	0.01 m/min
Maximum actuation speed	0.5 m/s
Repeat accuracy	0.1 mm on the tripping points with 1 million operating cycles

Contact code designation	A300, AC-15 (Ue = 240 V), Ie = 3 A, Ithe = 10 A conforming to EN/IEC 60947-5-1 appendix A Q300, DC-13 (Ue = 250 V), Ie = 0.27 A conforming to EN/IEC 60947-5-1 appendix A
[Ui] rated insulation voltage	300 V conforming to UL 508 500 V (pollution degree 3) conforming to IEC 60947-1 300 V conforming to CSA C22.2 No 14
Maximum resistance across terminals	25 MOhm conforming to IEC 60255-7 category 3
[Uimp] rated impulse withstand voltage	6 kV conforming to IEC 60664 6 kV conforming to IEC 60947-1
Short-circuit protection	10 A cartridge fuse, type gG
Electrical durability	5000000 cycles, DC-13, 120 V, 4 W, operating rate <60 cyc/mn, load factor: 0.5 conforming to IEC 60947-5-1 appendix C 5000000 cycles, DC-13, 24 V, 10 W, operating rate <60 cyc/mn, load factor: 0.5 conforming to IEC 60947-5-1 appendix C 5000000 cycles, DC-13, 48 V, 7 W, operating rate <60 cyc/mn, load factor: 0.5 conforming to IEC 60947-5-1 appendix C
Mechanical durability	15000000 cycles
Width	31 mm
Height	65 mm
Depth	30 mm
Net weight	0.09 kg
Terminals description ISO n°1	(13-14)NO (21-22)NC

Environment

Shock resistance	50 gn for 11 ms conforming to IEC 60068-2-27
Vibration resistance	25 gn (f= 10...500 Hz) conforming to IEC 60068-2-6
IP degree of protection	IP66 conforming to IEC 60529 IP67 conforming to IEC 60529
IK degree of protection	IK04 conforming to EN 50102
Electrical shock protection class	Class II conforming to IEC 61140 Class II conforming to NF C 20-030
Ambient air temperature for operation	-25...70 °C
Ambient air temperature for storage	-40...70 °C
Protective treatment	TC
Product certifications	CSA UL CCC
Standards	EN 60947-5-1 CSA C22.2 No 14 IEC 60947-5-1 EN 60204-1 IEC 60204-1 UL 508

Packing Units

Unit Type of Package 1	Db
Number of Units in Package 1	1
Package 1 Height	4.400 cm
Package 1 Width	4.600 cm
Package 1 Length	8.100 cm
Package 1 Weight	71.000 g
Unit Type of Package 2	S02

Number of Units in Package 2	81
Package 2 Height	15.000 cm
Package 2 Width	30.000 cm
Package 2 Length	40.000 cm
Package 2 Weight	6.270 kg

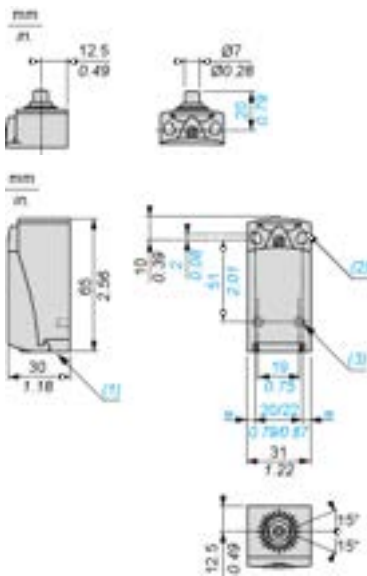
Offer Sustainability

Sustainable offer status	Green Premium product
REACH Regulation	REACH Declaration
EU RoHS Directive	Pro-active compliance (Product out of EU RoHS legal scope) EU RoHS Declaration
Mercury free	Yes
RoHS exemption information	Yes
Environmental Disclosure	Product Environmental Profile
Circularity Profile	End of Life Information

Contractual warranty

Warranty	18 months
-----------------	-----------

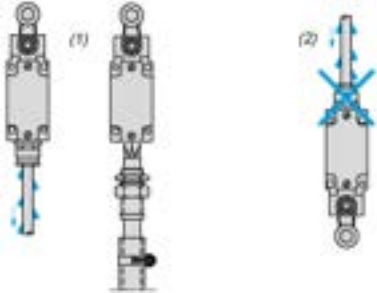
Dimensions



- (1) Tapped entry for Pg 11 cable gland
- (2) 2 elongated holes $\text{Ø} 4.3 \times 6.3$ mm on 22 mm centres, 2 holes $\text{Ø} 4.3$ on 20 mm centres.
- (3) 2 x $\text{Ø} 3$ holes for support studs, depth 4 mm.

Mounting with Cable Entry

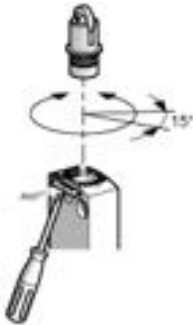
Position of Cable Gland



- (1) Recommended
- (2) To be avoided

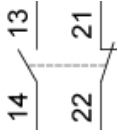
Setting-up

Plunger or Multi-directional Heads



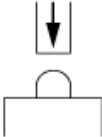
Wiring Diagram

2-pole NC + NO Snap Action

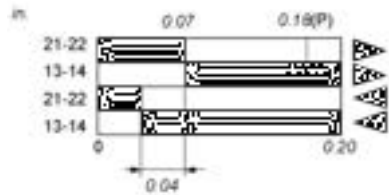
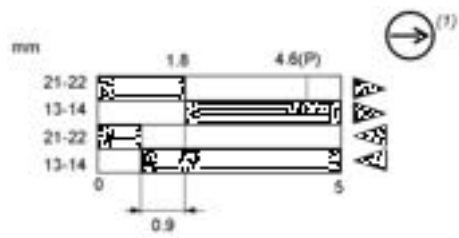


Characteristics of Actuation

Switch Actuation on End



Functionnal Diagram



- ECOC (2)
- (3)
- ▴ (4)
- ▾ (5)

- (P) Positive opening point
- (1) NC contact with positive opening operation
- (2) Closed
- (3) Open
- (4) Tripping
- (5) Resetting

Recommended replacement(s)

Product data sheet

Specifications



Safety switch, Telemecanique Safety switches XCS, metal XCSA, 1 NC + 2 NO, slow break, 1 entry tapped Pg 13

XCSA501

Main

Range of product	Telemecanique Safety switches XCS
Product or component type	Safety switch
Component name	XCSA
Design	Industrial
Material	Metal
Head type	Key operated turret head
Contacts type and composition	1 NC + 2 NO
Contact operation	Slow-break, break before make
Cable entry	1 entry tapped for Pg 13.5
Cable outer diameter	9...12 mm
Electrical connection	Terminal, clamping capacity: 1 x 0.5...2 x 1.5 mm ² with or without cable end
Number of poles	3
Locking options description	Without locking of actuator
Local signalling	Without

Complementary

Positive opening	With NC contact
Mechanical durability	1000000 cycles
Minimum actuation speed	0.01 m/s
Maximum actuation speed	0.5 m/s
[Ie] rated operational current	6 A at 120 V, AC-15, A300 conforming to EN/IEC 60947-5-1 3 A at 240 V, AC-15, A300 conforming to EN/IEC 60947-5-1 0.55 A at 125 V, DC-13, Q300 conforming to EN/IEC 60947-5-1 0.27 A at 250 V, DC-13, Q300 conforming to EN/IEC 60947-5-1
[Ithe] conventional enclosed thermal current	10 A
[Ui] rated insulation voltage	300 V conforming to UL 508 500 V conforming to EN/IEC 60947-1 300 V conforming to CSA C22.2 No 14
[Uimp] rated impulse withstand voltage	6 kV conforming to EN/IEC 60947-5-1
Short-circuit protection	10 A cartridge fuse type gG (gl)

Minimum actuator force for extraction	20 N
Maximum operating rate	10 cyc/mn for maximum durability
Safety level	Can reach category 4 with the appropriate monitoring system and correctly wired conforming to EN/ISO 13849-1 Can reach PL = e with the appropriate monitoring system and correctly wired conforming to EN/ISO 13849-1 Can reach SIL 3 with the appropriate monitoring system and correctly wired conforming to EN/IEC 61508
Safety reliability data	B10d = 5000000 value given for a life time of 20 years limited by mechanical or contact wear
Body material	Zamak
Head material	Zamak
Depth	44 mm
Height	114 mm
Width	40 mm
Net weight	0.44 kg

Environment

Standards	EN/IEC 60204-1 EN 1088/ISO 14119 EN/IEC 60947-5-1 CSA C22.2 No 14 EN/ISO 12100 UL 508
Product certifications	UL CSA
Protective treatment	TC
Ambient air temperature for operation	-25...70 °C
Ambient air temperature for storage	-40...70 °C
Vibration resistance	5 gn (f= 10...500 Hz) conforming to IEC 60068-2-6
Shock resistance	10 gn for 11 ms conforming to IEC 60068-2-27
Electrical shock protection class	Class I conforming to EN/IEC 61140
IP degree of protection	IP67 conforming to EN/IEC 60529 and EN/IEC 60947-5-1

Packing Units

Unit Type of Package 1	Db
Number of Units in Package 1	1
Package 1 Height	4.3 cm
Package 1 Width	7 cm
Package 1 Length	12.5 cm
Package 1 Weight	500 g
Unit Type of Package 2	P06
Number of Units in Package 2	160
Package 2 Height	45 cm
Package 2 Width	60 cm
Package 2 Length	80 cm
Package 2 Weight	88.5 kg
Unit Type of Package 3	S01

Number of Units in Package 3	10
Package 3 Height	15 cm
Package 3 Width	15 cm
Package 3 Length	40 cm
Package 3 Weight	5.23 kg

Offer Sustainability

Sustainable offer status	Green Premium product
REACH Regulation	REACH Declaration
EU RoHS Directive	Pro-active compliance (Product out of EU RoHS legal scope) EU RoHS Declaration
Mercury free	Yes
RoHS exemption information	Yes
Environmental Disclosure	Product Environmental Profile
California proposition 65	WARNING: This product can expose you to chemicals including: Diisononyl phthalate (DINP), which is known to the State of California to cause cancer, and Di-isodecyl phthalate (DIDP), which is known to the State of California to cause birth defects or other reproductive harm. For more information go to www.P65Warnings.ca.gov

Contractual warranty

Warranty	18 months
-----------------	-----------

Recommended replacement(s)

Product data sheet

Specifications



Safety switch, Telemecanique Safety switches XCS, metal XCSA, 2 NC + 1 NO, slow break, 1 entry tapped M20

XCSA702

Main

Range of product	Telemecanique Safety switches XCS
Product or component type	Safety switch
Component name	XCSA
Design	Industrial
Material	Metal
Head type	Key operated turret head
Contacts type and composition	2 NC + 1 NO
Contact operation	Slow-break, break before make
Cable entry	1 entry tapped for M20 x 1.5
Cable outer diameter	7...13 mm
Electrical connection	Terminal, clamping capacity: 1 x 0.5...2 x 1.5 mm ² with or without cable end
Number of poles	3
Locking options description	Without locking of actuator
Local signalling	Without

Complementary

Positive opening	With NC contact
Mechanical durability	1000000 cycles
Minimum actuation speed	0.01 m/s
Maximum actuation speed	0.5 m/s
[Ie] rated operational current	6 A at 120 V, AC-15, A300 conforming to EN/IEC 60947-5-1 3 A at 240 V, AC-15, A300 conforming to EN/IEC 60947-5-1 0.55 A at 125 V, DC-13, Q300 conforming to EN/IEC 60947-5-1 0.27 A at 250 V, DC-13, Q300 conforming to EN/IEC 60947-5-1
[Ithe] conventional enclosed thermal current	10 A
[Ui] rated insulation voltage	300 V conforming to UL 508 500 V conforming to EN/IEC 60947-1 300 V conforming to CSA C22.2 No 14
[Uimp] rated impulse withstand voltage	6 kV conforming to EN/IEC 60947-5-1
Short-circuit protection	10 A cartridge fuse type gG (gl)

Minimum actuator force for extraction	20 N
Maximum operating rate	10 cyc/mn for maximum durability
Safety level	Can reach category 4 with the appropriate monitoring system and correctly wired conforming to EN/ISO 13849-1 Can reach PL = e with the appropriate monitoring system and correctly wired conforming to EN/ISO 13849-1 Can reach SIL 3 with the appropriate monitoring system and correctly wired conforming to EN/IEC 61508
Safety reliability data	B10d = 5000000 value given for a life time of 20 years limited by mechanical or contact wear
Body material	Zamak
Head material	Zamak
Depth	44 mm
Height	114 mm
Width	40 mm
Net weight	0.44 kg

Environment

Standards	EN/ISO 12100 EN/IEC 60947-5-1 CSA C22.2 No 14 UL 508 EN/IEC 60204-1 EN 1088/ISO 14119
Product certifications	CSA UL
Protective treatment	TC
Ambient air temperature for operation	-25...70 °C
Ambient air temperature for storage	-40...70 °C
Vibration resistance	5 gn (f= 10...500 Hz) conforming to IEC 60068-2-6
Shock resistance	10 gn for 11 ms conforming to IEC 60068-2-27
Electrical shock protection class	Class I conforming to EN/IEC 61140
IP degree of protection	IP67 conforming to EN/IEC 60529 and EN/IEC 60947-5-1

Packing Units

Unit Type of Package 1	Db
Number of Units in Package 1	1
Package 1 Height	4.4 cm
Package 1 Width	6.8 cm
Package 1 Length	12 cm
Package 1 Weight	498 g
Unit Type of Package 2	P06
Number of Units in Package 2	320
Package 2 Height	77 cm
Package 2 Width	60 cm
Package 2 Length	80 cm
Package 2 Weight	176.34 kg
Unit Type of Package 3	S01

Number of Units in Package 3	10
Package 3 Height	15 cm
Package 3 Width	15 cm
Package 3 Length	40 cm
Package 3 Weight	5.229 kg

Offer Sustainability

Sustainable offer status	Green Premium product
REACH Regulation	REACH Declaration
EU RoHS Directive	Pro-active compliance (Product out of EU RoHS legal scope) EU RoHS Declaration
Mercury free	Yes
RoHS exemption information	Yes
Environmental Disclosure	Product Environmental Profile
California proposition 65	WARNING: This product can expose you to chemicals including: Diisononyl phthalate (DINP), which is known to the State of California to cause cancer, and Di-isodecyl phthalate (DIDP), which is known to the State of California to cause birth defects or other reproductive harm. For more information go to www.P65Warnings.ca.gov

Contractual warranty

Warranty	18 months
-----------------	-----------

Recommended replacement(s)

Product datasheet

Specifications



limit switch head ZCKD - steel roller plunger

ZCKD02

Main

Range of product	Telemecanique Limit switches XC Standard
Series name	Standard format
Product or component type	Limit switch head
Device short name	ZCKD
Head type	Plunger head
Product compatibility	XCKS XCKM XCKL

Associated body	ZCKM1 ZCKS8H29 ZCKMD37H29 ZCKM6H29 ZCKL1H7 ZCKLD37H7 ZCKMD39 ZCKS6 ZCKMD35H7 ZCKLD35 ZCKS1 ZCKSD35H29 ZCKM5 ZCKS2H29 ZCKL6 ZCKL5 ZCKM7H29 ZCKS1H29 ZCKLD31H7 ZCKM6 ZCKM9 ZCKSD37H29 ZCKL6H7 ZCKLD39H7 ZCKMD31H29 ZCKS5H29 ZCKS9H29 ZCKSD39 ZCKM1H7 ZCKMD35H29 ZCKL8H7 ZCKM8H29 ZCKL1 ZCKL7H7 ZCKM7H7 ZCKL5H7 ZCKSD39H29 ZCKM8 ZCKM5H29 ZCKLD37 ZCKSD35 ZCKM6H7 ZCKM7 ZCKM5H7 ZCKL7 ZCKS7 ZCKS7H29
-----------------	---

ZCKMD39H7
 ZCKMD37H7
 ZCKLD31
 ZCKSD37
 ZCKMD39H29
 ZCKS5
 ZCKM1H29
 ZCKMD35
 ZCKS8
 ZCKLD35H7
 ZCKS6H29
 ZCKM9H29
 ZCKLD39
 ZCKL8
 ZCKMD37
 ZCKMD31
 ZCKM8H7
 ZCKS2
 ZCKSD31H29
 ZCKMD31H7
 ZCKSD31
 ZCKS9

Movement of operating head	Linear
Type of operator	Roller plunger spring return metal
Type of approach	Lateral approach, 2 directions

Complementary

Switch actuation	By 30° cam
Positive opening	With
Head material	Plastic

Environment

Ambient air temperature for operation	-25...70 °C
Ambient air temperature for storage	-40...70 °C
Environmental characteristic	Standard environment

Packing Units

Unit Type of Package 1	Db
Number of Units in Package 1	1
Package 1 Height	3.3 cm
Package 1 Width	6.4 cm
Package 1 Length	7.8 cm
Package 1 Weight	44 g
Unit Type of Package 2	P06
Number of Units in Package 2	896
Package 2 Height	77 cm
Package 2 Width	80 cm
Package 2 Length	60 cm
Package 2 Weight	55.124 kg
Unit Type of Package 3	S01
Number of Units in Package 3	28
Package 3 Height	15 cm
Package 3 Width	15 cm
Package 3 Length	40 cm

Package 3 Weight 1.626 kg

Offer Sustainability

Sustainable offer status Green Premium product

REACH Regulation [REACH Declaration](#)

EU RoHS Directive Pro-active compliance (Product out of EU RoHS legal scope)
[EU RoHS Declaration](#)

Mercury free Yes

RoHS exemption information [Yes](#)

Environmental Disclosure [Product Environmental Profile](#)

Contractual warranty

Warranty 18 months

Recommended replacement(s)

Product data sheet

Specifications



Limit switch head, Limit switches XC Standard, ZCKD, thermoplastic roller lever plunger horizontal direction

ZCKD21

Main

Range of product	Telemecanique Limit switches XC Standard
Series name	Standard format
Product or component type	Limit switch head
Device short name	ZCKD
Head type	Plunger head
Product compatibility	XCKM XCKL
Associated body	ZCKMD35 ZCKMD31H7 ZCKL5H7 ZCKLD35 ZCKMD39H29 ZCKLD31H7 ZCKLD35H7 ZCKM6H7 ZCKL6 ZCKM8H29 ZCKM7H29 ZCKLD39H7 ZCKMD37 ZCKMD35H7 ZCKLD37 ZCKM1 ZCKL1H7 ZCKLD39 ZCKMD39H7 ZCKMD31H29 ZCKM5H7 ZCKL6H7 ZCKMD31 ZCKM7H7 ZCKM9 ZCKMD37H29 ZCKM6 ZCKM1H29 ZCKL1 ZCKLD37H7 ZCKM6H29 ZCKM8 ZCKM1H7 ZCKM7 ZCKL5 ZCKM5 ZCKM9H29 ZCKM5H29 ZCKL8 ZCKL8H7 ZCKLD31 ZCKL7H7 ZCKMD37H7 ZCKMD35H29 ZCKMD39 ZCKL7 ZCKM8H7

Movement of operating head	Rotary Linear
Type of operator	Roller lever plunger spring return thermoplastic
Type of approach	Lateral approach, 1 direction

Complementary

Switch actuation	By 30° cam
Positive opening	With
Head material	Plastic

Environment

Ambient air temperature for operation	-25...70 °C
Ambient air temperature for storage	-40...70 °C
Environmental characteristic	Standard environment

Packing Units

Unit Type of Package 1	Db
Number of Units in Package 1	1
Package 1 Height	3.5 cm
Package 1 Width	6.3 cm
Package 1 Length	7.5 cm
Package 1 Weight	85 g
Unit Type of Package 2	S01
Number of Units in Package 2	28
Package 2 Height	15 cm
Package 2 Width	15 cm
Package 2 Length	40 cm
Package 2 Weight	2.66 kg
Unit Type of Package 3	P06
Number of Units in Package 3	896
Package 3 Height	77 cm
Package 3 Width	80 cm
Package 3 Length	60 cm
Package 3 Weight	92.148 kg

Offer Sustainability

Sustainable offer status	Green Premium product
REACH Regulation	REACH Declaration
EU RoHS Directive	Pro-active compliance (Product out of EU RoHS legal scope) EU RoHS Declaration
Mercury free	Yes
RoHS exemption information	Yes
Environmental Disclosure	Product Environmental Profile
California proposition 65	WARNING: This product can expose you to chemicals including: Diisononyl phthalate (DINP), which is known to the State of California to cause cancer, and Di-isodecyl phthalate (DIDP), which is known

Contractual warranty

Warranty 18 months

Recommended replacement(s)

Product datasheet

Specifications



limit switch head ZCKD - thermoplastic roller lever

ZCKD31



Main

Range of product	Telemecanique Limit switches XC Standard
Series name	Standard format
Product or component type	Limit switch head
Device short name	ZCKD
Head type	Rotary head
Product compatibility	XCKS
Associated body	ZCKS5 ZCKSD35 ZCKS9H29 ZCKSD39H29 ZCKSD37 ZCKS1H29 ZCKSD37H29 ZCKS7H29 ZCKS6 ZCKS9 ZCKSD31H29 ZCKS5H29 ZCKS2 ZCKS1 ZCKSD39 ZCKS7 ZCKS8 ZCKS2H29 ZCKSD35H29 ZCKSD31 ZCKS6H29 ZCKS8H29
Movement of operating head	Rotary
Type of operator	Roller lever spring return thermoplastic
Type of approach	Lateral approach, 2 directions

Complementary

Switch actuation	By 30° cam
Positive opening	With
Head material	Plastic

Environment

Ambient air temperature for operation	-25...70 °C
Ambient air temperature for storage	-40...70 °C

Environmental characteristic	Standard environment
------------------------------	----------------------

Packing Units

Unit Type of Package 1	Db
------------------------	----

Number of Units in Package 1	1
------------------------------	---

Package 1 Height	6.500 cm
------------------	----------

Package 1 Width	7.800 cm
-----------------	----------

Package 1 Length	3.400 cm
------------------	----------

Package 1 Weight	86.000 g
------------------	----------

Unit Type of Package 2	S01
------------------------	-----

Number of Units in Package 2	28
------------------------------	----

Package 2 Height	15.000 cm
------------------	-----------

Package 2 Width	15.000 cm
-----------------	-----------

Package 2 Length	40.000 cm
------------------	-----------

Package 2 Weight	2.693 kg
------------------	----------

Offer Sustainability

Sustainable offer status	Green Premium product
--------------------------	-----------------------

REACH Regulation	REACH Declaration
------------------	-----------------------------------

EU RoHS Directive	Pro-active compliance (Product out of EU RoHS legal scope) EU RoHS Declaration
-------------------	---

Mercury free	Yes
--------------	-----

RoHS exemption information	Yes
----------------------------	---------------------

Environmental Disclosure	Product Environmental Profile
--------------------------	---

Contractual warranty

Warranty	18 months
----------	-----------

Recommended replacement(s)

Product datasheet

Specifications



limit switch head ZCKE - without lever left and right actuation

ZCKE05

Main

Range of product	Telemecanique Limit switches XC Standard
Series name	Standard format
Product or component type	Limit switch head
Device short name	ZCKE
Head type	Rotary head
Product compatibility	XCKJ
Associated lever	ZCKY91 ZCKY52 ZCKY53 ZCKY11 ZCKY13 ZCKY43 ZCKY51 ZCKY14 ZCKY81 ZCKY41 ZCKY59
Associated body	ZCKJD37H7 ZCKJ5H29 ZCKJ8H7 ZCKJ1H29 ZCKJ8 ZCKJ7 ZCKJ41 ZCKJ6H29 ZCKJ11H29 ZCKJ41H29 ZCKJ11H7 ZCKJD35H7 ZCKJD31H7 ZCKJ9H29 ZCKJD31H29 ZCKJ21 ZCKJD39H7 ZCKJ9H7 ZCKJ4H29 ZCKJD35H29 ZCKJ6 ZCKJ11 ZCKJ5 ZCKJ7H29 ZCKJ1H7 ZCKJ7H7 ZCKJ9 ZCKJ8H29 ZCKJ6H7 ZCKJ4104H29 ZCKJD31 ZCKJ4104H7 ZCKJ5H7 ZCKJ2H7 ZCKJ404H29 ZCKJD37H29 ZCKJ4

ZCKJ21H7
 ZCKJ1
 ZCKJ2H29
 ZCKJD39H29
 ZCKJD37
 ZCKJ2
 ZCKJD35
 ZCKJ41H7
 ZCKJ404
 ZCKJD39
 ZCKJ4104
 ZCKJ21H29
 ZCKJ4H7
 ZCKJ404H7

Movement of operating head	Rotary
Type of operator	Without operating lever spring return
Type of approach	Lateral approach, 1 or 2 programmable direction

Complementary

Switch actuation	From left and/or right CW and/or CCW
Positive opening	With
Head material	Metal

Environment

Ambient air temperature for operation	-25...70 °C
Ambient air temperature for storage	-40...70 °C
Environmental characteristic	Standard environment

Packing Units

Unit Type of Package 1	Db
Number of Units in Package 1	1
Package 1 Height	4.200 cm
Package 1 Width	4.600 cm
Package 1 Length	8.700 cm
Package 1 Weight	168.000 g
Unit Type of Package 2	S01
Number of Units in Package 2	27
Package 2 Height	15.000 cm
Package 2 Width	15.000 cm
Package 2 Length	40.000 cm
Package 2 Weight	4.794 kg
Unit Type of Package 3	P06
Number of Units in Package 3	864
Package 3 Height	77.000 cm
Package 3 Width	80.000 cm
Package 3 Length	60.000 cm
Package 3 Weight	160.852 kg

Offer Sustainability

Sustainable offer status	Green Premium product
---------------------------------	-----------------------

REACH Regulation	REACH Declaration
EU RoHS Directive	Pro-active compliance (Product out of EU RoHS legal scope) EU RoHS Declaration
Mercury free	Yes
RoHS exemption information	Yes
Environmental Disclosure	Product Environmental Profile

Contractual warranty

Warranty	18 months
-----------------	-----------

Recommended replacement(s)

Product data sheet

Specifications



Limit switch head, Limit switches XC Standard, ZCKE, metal end plunger

ZCKE61

Main

Range of product	Telemecanique Limit switches XC Standard
Series name	Standard format
Product or component type	Limit switch head
Device short name	ZCKE
Head type	Plunger head
Product compatibility	XCKJ
Associated body	ZCKJ8 ZCKJ9H29 ZCKJ6H29 ZCKJ41H29 ZCKJD37 ZCKJD39H7 ZCKJ2H7 ZCKJD35H7 ZCKJ41 ZCKJ7H7 ZCKJD35 ZCKJ11H7 ZCKJ1H7 ZCKJ1H29 ZCKJ5H7 ZCKJ5H29 ZCKJ7 ZCKJD31 ZCKJ41H7 ZCKJ5 ZCKJ4H29 ZCKJ6H7 ZCKJD35H29 ZCKJD37H7 ZCKJ8H7 ZCKJ7H29 ZCKJD39H29 ZCKJ4 ZCKJ21H7 ZCKJ11 ZCKJ21H29 ZCKJ6 ZCKJ9H7 ZCKJ2H29 ZCKJ9 ZCKJ4H7 ZCKJD31H29 ZCKJD31H7 ZCKJ2 ZCKJ11H29 ZCKJD37H29 ZCKJ8H29 ZCKJD39 ZCKJ21 ZCKJ1
Movement of operating head	Linear

Type of operator	End plunger spring return metal
Type of approach	Vertical approach, 1 direction

Complementary

Switch actuation	On end
Positive opening	With
Head material	Metal

Environment

Ambient air temperature for operation	-25...70 °C
Ambient air temperature for storage	-40...70 °C
Environmental characteristic	Standard environment

Packing Units

Unit Type of Package 1	Db
Number of Units in Package 1	1
Package 1 Height	3.8 cm
Package 1 Width	6.6 cm
Package 1 Length	13 cm
Package 1 Weight	141 g
Unit Type of Package 2	S01
Number of Units in Package 2	24
Package 2 Height	15 cm
Package 2 Width	15 cm
Package 2 Length	40 cm
Package 2 Weight	3.716 kg

Offer Sustainability

Sustainable offer status	Green Premium product
REACH Regulation	REACH Declaration
EU RoHS Directive	Pro-active compliance (Product out of EU RoHS legal scope) EU RoHS Declaration
Mercury free	Yes
RoHS exemption information	Yes
Environmental Disclosure	Product Environmental Profile
California proposition 65	WARNING: This product can expose you to chemicals including: Diisononyl phthalate (DINP), which is known to the State of California to cause cancer, and Di-isodecyl phthalate (DIDP), which is known to the State of California to cause birth defects or other reproductive harm. For more information go to www.P65Warnings.ca.gov

Contractual warranty

Warranty	18 months
----------	-----------

Recommended replacement(s)

Product datasheet

Specifications



limit switch body ZCKM - 1NC+1NO - snap action - M20

ZCKM1H29

Main

Range of product	Telemecanique Limit switches XC Standard
Series name	Standard format
Product or component type	Limit switch body
Device short name	ZCKM
Body type	Fixed
Product compatibility	XCKM
Associated head	ZCKD06 ZCKD16 ZCKD219 ZCKD08 ZCKD21 ZCKD05 ZCKD81 ZCKD23 ZCKD239 ZCKD10 ZCKD41 ZCKD15 ZCKD029 ZCKD59 ZCKD02 ZCKD17 ZCKD109 ZCKD91
Body material	Metal
Cable entry	3 entries tapped for M20 x 1.5 cable gland
Number of poles	2
Contacts type and composition	1 NC + 1 NO
Contact operation	Snap action
Number of steps	1 1 position
Contacts material	Silver plated contacts

Complementary

Local display	Without
Electrical connection	Screw-clamp terminals, clamping capacity: 1 x 0.34...2 x 1.5 mm ²
Positive opening	With
Minimum actuation speed	0.01 m/min
[Ie] rated operational current	3 A at 240 V, AC-15, A300 conforming to EN/IEC 60947-5-1 appendix A 0.27 A at 250 V, DC-13, Q300 conforming to EN/IEC 60947-5-1 appendix A

[I_{th}] conventional enclosed thermal current	10 A
[U_i] rated insulation voltage	500 V (pollution degree 3) conforming to IEC 60947-1 for contact block 300 V conforming to CSA C22.2 No 14 for contact block 300 V conforming to UL 508 for contact block
Maximum resistance across terminals	0.25 mOhm conforming to IEC 60255-7 category 3
[U_{imp}] rated impulse withstand voltage	6 kV conforming to IEC 60664 6 kV conforming to IEC 60947-1
Short-circuit protection	10 A cartridge fuse, type gG
Electrical durability	5000000 cycles, DC-13 120 V, 7 W, operating rate <60 cyc/mn, load factor: 0.5 conforming to IEC 60947-5-1 appendix C 5000000 cycles, DC-13 24 V, 13 W, operating rate <60 cyc/mn, load factor: 0.5 conforming to IEC 60947-5-1 appendix C 5000000 cycles, DC-13 48 V, 9 W, operating rate <60 cyc/mn, load factor: 0.5 conforming to IEC 60947-5-1 appendix C
Width	64 mm
Height	64 mm
Depth	30 mm
Net weight	0.21 kg
Terminals description ISO n°1	(21-22)NC (13-14)NO

Environment

IP degree of protection	IP66
IK degree of protection	IK05
Ambient air temperature for operation	-25...70 °C for standard environment
Ambient air temperature for storage	-40...70 °C
Environmental characteristic	Standard environment

Packing Units

Unit Type of Package 1	Db
Number of Units in Package 1	1
Package 1 Height	3.2 cm
Package 1 Width	6.6 cm
Package 1 Length	9.8 cm
Package 1 Weight	230 g
Unit Type of Package 2	S01
Number of Units in Package 2	20
Package 2 Height	15 cm
Package 2 Width	15 cm
Package 2 Length	40 cm
Package 2 Weight	4.876 kg
Unit Type of Package 3	P06
Number of Units in Package 3	640
Package 3 Height	77 cm
Package 3 Width	80 cm
Package 3 Length	60 cm

Package 3 Weight 164.18 kg

Offer Sustainability

Sustainable offer status Green Premium product

REACH Regulation [REACH Declaration](#)

EU RoHS Directive Pro-active compliance (Product out of EU RoHS legal scope)
[EU RoHS Declaration](#)

Mercury free Yes

RoHS exemption information [Yes](#)

Environmental Disclosure [Product Environmental Profile](#)

Contractual warranty

Warranty 18 months

Recommended replacement(s)

Product data sheet

Specifications



Limit switch lever, Limit switches XC Standard, ZCKY, thermoplastic plastic roller variable length, -40...70 °C

ZCKY41

Main

Range of product	Telemecanique Limit switches XC Standard
Series name	Standard format
Product or component type	Limit switch lever
Device short name	ZCKY
Product compatibility	XCKS XCKL XCKM XCKJ
Associated head	ZCKE05 ZCKD05
Movement of operating head	Rotary
Type of operator	Roller lever spring return thermoplastic (variable length)
Type of approach	Lateral approach

Complementary

Switch actuation	By 30° cam
Positive opening	Without

Environment

Ambient air temperature for operation	-25...70 °C for standard environment -40...70 °C for low temperature
Ambient air temperature for storage	-40...70 °C standard environment -40...70 °C low temperature
Environmental characteristic	Low temperature Standard environment

Packing Units

Unit Type of Package 1	Db
Number of Units in Package 1	1
Package 1 Height	1.5 cm
Package 1 Width	10 cm
Package 1 Length	5 cm
Package 1 Weight	23 g

Unit Type of Package 2	S01
Number of Units in Package 2	100
Package 2 Height	15 cm
Package 2 Width	15 cm
Package 2 Length	40 cm
Package 2 Weight	2.566 kg

Offer Sustainability

Sustainable offer status	Green Premium product
REACH Regulation	REACH Declaration
EU RoHS Directive	Pro-active compliance (Product out of EU RoHS legal scope) EU RoHS Declaration
Mercury free	Yes
RoHS exemption information	Yes
Environmental Disclosure	Product Environmental Profile
California proposition 65	WARNING: This product can expose you to chemicals including: Diisononyl phthalate (DINP), which is known to the State of California to cause cancer, and Di-isodecyl phthalate (DIDP), which is known to the State of California to cause birth defects or other reproductive harm. For more information go to www.P65Warnings.ca.gov

Contractual warranty

Warranty	18 months
-----------------	-----------

Recommended replacement(s)

Product data sheet

Specifications



Limit switch lever, Limit switches XC Standard, ZCKY, steel roller variable length, -40...120 °C

ZCKY43

Main

Range of product	Telemecanique Limit switches XC Standard
Series name	Standard format
Product or component type	Limit switch lever
Device short name	ZCKY
Product compatibility	XCKS XCKJ XCKL XCKM
Associated head	ZCKD05 ZCKE05
Movement of operating head	Rotary
Type of operator	Roller lever spring return metal (variable length)
Type of approach	Lateral approach

Complementary

Switch actuation	By 30° cam
Positive opening	Without

Environment

Ambient air temperature for operation	-25...70 °C for standard environment -40...70 °C for low temperature 10...120 °C for high temperature
Ambient air temperature for storage	-40...70 °C standard environment -40...70 °C low temperature 10...120 °C high temperature
Environmental characteristic	High temperature Standard environment Low temperature

Packing Units

Unit Type of Package 1	Db
Number of Units in Package 1	1
Package 1 Height	2.2 cm
Package 1 Width	2.4 cm
Package 1 Length	12.3 cm

Package 1 Weight	32 g
Unit Type of Package 2	S01
Number of Units in Package 2	100
Package 2 Height	15 cm
Package 2 Width	15 cm
Package 2 Length	40 cm
Package 2 Weight	3.465 kg

Offer Sustainability

Sustainable offer status	Green Premium product
REACH Regulation	REACH Declaration
EU RoHS Directive	Pro-active compliance (Product out of EU RoHS legal scope) EU RoHS Declaration
Mercury free	Yes
RoHS exemption information	Yes
Environmental Disclosure	Product Environmental Profile
California proposition 65	WARNING: This product can expose you to chemicals including: Diisononyl phthalate (DINP), which is known to the State of California to cause cancer, and Di-isodecyl phthalate (DIDP), which is known to the State of California to cause birth defects or other reproductive harm. For more information go to www.P65Warnings.ca.gov

Contractual warranty

Warranty	18 months
----------	-----------

Recommended replacement(s)

Product data sheet

Specifications



Limit switch lever, Limit switches XC Standard, ZCKY, metal round rod 3 mm L=125 mm, -40...120 °C

ZCKY53

Main

Range of product	Telemecanique Limit switches XC Standard
Series name	Standard format
Product or component type	Limit switch lever
Device short name	ZCKY
Product compatibility	XCKJ
Associated head	ZCKE05
Movement of operating head	Rotary
Type of operator	Rod lever spring return metal (round rod 3 mm, L = 125 mm)
Type of approach	Lateral approach

Complementary

Switch actuation	By any moving part
Positive opening	Without

Environment

Ambient air temperature for operation	-25...70 °C for standard environment -40...70 °C for low temperature 10...120 °C for high temperature
Ambient air temperature for storage	-40...70 °C standard environment -40...70 °C low temperature 10...120 °C high temperature
Environmental characteristic	High temperature Low temperature Standard environment

Packing Units

Unit Type of Package 1	Db
Number of Units in Package 1	1
Package 1 Height	7 cm
Package 1 Width	2.2 cm
Package 1 Length	12.5 cm
Package 1 Weight	18 g
Unit Type of Package 2	S01

Number of Units in Package 2	100
Package 2 Height	15 cm
Package 2 Width	15 cm
Package 2 Length	40 cm
Package 2 Weight	2.171 kg

Offer Sustainability

Sustainable offer status	Green Premium product
REACH Regulation	REACH Declaration
REACH free of SVHC	Yes
EU RoHS Directive	Pro-active compliance (Product out of EU RoHS legal scope) EU RoHS Declaration
Mercury free	Yes
RoHS exemption information	Yes
Environmental Disclosure	Product Environmental Profile
California proposition 65	WARNING: This product can expose you to chemicals including: Diisononyl phthalate (DINP), which is known to the State of California to cause cancer, and Di-isodecyl phthalate (DIDP), which is known to the State of California to cause birth defects or other reproductive harm. For more information go to www.P65Warnings.ca.gov

Contractual warranty

Warranty	18 months
-----------------	-----------

Recommended replacement(s)

Product data sheet

Specifications



Limit switch body, Limit switches XC Standard, ZCMD, 1C/O, silver, snap action, connection, M12

ZCMD21M12

Main

Range of product	Telemecanique Limit switches XC Standard
Series name	Standard format
Product or component type	Limit switch body
Device short name	ZCMD
Design	Miniature
Body type	Fixed
Associated head	ZCE29 ZCE02 ZCE06 ZCE62 ZCE09 ZCE13 ZCE67 ZCE10 ZCE14 ZCE07 ZCE08 ZCE65 ZCEG1 ZCEF0 ZCE24 ZCE11 ZCE27 ZCE64 ZCEF2 ZCE28 ZCE66 ZCE01 ZCE63 ZCE21
Body material	Zamak
Number of poles	2
Contacts type and composition	1 C/O
Contact operation	Snap action

Complementary

Product compatibility	XCMD
Electrical connection	Male connector M12, 4 pins
Contacts insulation form	Za
Contacts material	Silver plated contacts
Positive opening	Without

Minimum actuation speed	0.01 m/min
[Ie] rated operational current	0.1 A at 250 V, DC-13 conforming to EN/IEC 60947-5-1 appendix A 1.5 A at 240 V, AC-15 conforming to EN/IEC 60947-5-1 appendix A
[Ithe] conventional enclosed thermal current	3 A
[Ui] rated insulation voltage	300 V (pollution degree 3) conforming to UL 508 300 V (pollution degree 3) conforming to CSA C22.2 No 14 250 V (pollution degree 3) conforming to IEC 60947-5-1
Maximum resistance across terminals	25 mOhm conforming to IEC 60255-7 category 3
[Uimp] rated impulse withstand voltage	2.5 kV conforming to IEC 60664 2.5 kV conforming to IEC 60947-1
Short-circuit protection	4 A cartridge fuse, type gG
Electrical durability	5000000 cycles, DC-13 24 V, 3 W, operating rate <60 cyc/mn, load factor: 0.5 conforming to IEC 60947-5-1 appendix C 5000000 cycles, DC-13 48 V, 2 W, operating rate <60 cyc/mn, load factor: 0.5 conforming to IEC 60947-5-1 appendix C 5000000 cycles, DC-13 120 V, 1 W, operating rate <60 cyc/mn, load factor: 0.5 conforming to IEC 60947-5-1 appendix C
Width	30 mm
Height	50 mm
Depth	16 mm
Net weight	0.065 kg

Environment

Ambient air temperature for storage	-40...70 °C
--	-------------

Packing Units

Unit Type of Package 1	Db
Number of Units in Package 1	1
Package 1 Height	1.7 cm
Package 1 Width	5.3 cm
Package 1 Length	5.3 cm
Package 1 Weight	76.0 g

Offer Sustainability

Sustainable offer status	Green Premium product
REACH Regulation	REACH Declaration
EU RoHS Directive	Pro-active compliance (Product out of EU RoHS legal scope) EU RoHS Declaration
Mercury free	Yes
RoHS exemption information	Yes
Environmental Disclosure	Product Environmental Profile
Circularity Profile	End of Life Information
California proposition 65	WARNING: This product can expose you to chemicals including: Diisononyl phthalate (DINP), which is known to the State of California to cause cancer, and Di-isodecyl phthalate (DIDP), which is known to the State of California to cause birth defects or other reproductive harm. For more information go to www.P65Warnings.ca.gov

Contractual warranty

Warranty	18 months
-----------------	-----------

Recommended replacement(s)

Product datasheet

Specifications



limit switch body ZCP - compact - 1NC+1NO - snap action

ZCP21

Main

Range of product	Telemecanique Limit switches XC Standard
Series name	Standard compact
Product or component type	Limit switch body
Device short name	ZCP
Design	Compact
Body type	Fixed
Associated head	ZCE06 ZCE28 ZCE63 ZCE01 ZCE02 ZCE66 ZCE14 ZCE11 ZCE27 ZCEH2 ZCE09 ZCE67 ZCE08 ZCE07 ZCE24 ZCEH0 ZCE21 ZCE64 ZCE29 ZCE62 ZCE65 ZCE13 ZCE10 ZCE05
Body material	Plastic
Number of poles	2
Contacts type and composition	1 NC + 1 NO
Contact operation	Snap action

Complementary

Associated connection component	ZCPEP20 ZCPEN12 ZCPEF12 ZCPEG11 ZCPEP16 ZCPEG13
Electrical connection	Screw-clamp terminals, clamping capacity: 1 x 0.34...2 x 1.5 mm ²
Contacts insulation form	Zb

Contacts material	Silver plated contacts
Positive opening	With
Minimum actuation speed	0.01 m/s
Contact code designation	B300, AC-15 (Ue = 240 V), Ie = 1.5 A conforming to EN/IEC 60947-5-1 appendix A R300, DC-13 (Ue = 250 V), Ie = 0.1 A conforming to EN/IEC 60947-5-1 appendix A
[Ui] rated insulation voltage	300 V conforming to UL 508 500 V (pollution degree 3) conforming to IEC 60947-1 300 V conforming to CSA C22.2 No 14
[Uimp] rated impulse withstand voltage	6 kV conforming to IEC 60664 6 kV conforming to IEC 60947-1
Short-circuit protection	10 A cartridge fuse, type gG
Electrical durability	5000000 cycles, DC-13 120 V, 4 W, operating rate <60 cyc/mn, load factor: 0.5 conforming to IEC 60947-5-1 appendix C 5000000 cycles, DC-13 24 V, 10 W, operating rate <60 cyc/mn, load factor: 0.5 conforming to IEC 60947-5-1 appendix C 5000000 cycles, DC-13 48 V, 7 W, operating rate <60 cyc/mn, load factor: 0.5 conforming to IEC 60947-5-1 appendix C
Width	31 mm
Height	65 mm
Depth	30 mm
Net weight	0.07 kg

Environment

Product compatibility	XCKP
Ambient air temperature for operation	-25...70 °C
Ambient air temperature for storage	-40...70 °C

Packing Units

Unit Type of Package 1	Db
Number of Units in Package 1	1
Package 1 Height	4.0 cm
Package 1 Width	4.0 cm
Package 1 Length	7.6 cm
Package 1 Weight	60.0 g
Unit Type of Package 2	P06
Number of Units in Package 2	1296
Package 2 Height	77.0 cm
Package 2 Width	60.0 cm
Package 2 Length	80.0 cm
Package 2 Weight	96.132 kg
Unit Type of Package 3	S02
Number of Units in Package 3	81
Package 3 Height	15.0 cm
Package 3 Width	30.0 cm
Package 3 Length	40.0 cm
Package 3 Weight	5.42 kg

Offer Sustainability

Sustainable offer status	Green Premium product
REACH Regulation	REACH Declaration
EU RoHS Directive	Pro-active compliance (Product out of EU RoHS legal scope) EU RoHS Declaration
Mercury free	Yes
RoHS exemption information	Yes
Environmental Disclosure	Product Environmental Profile
Circularity Profile	End of Life Information

Contractual warranty

Warranty	18 months
----------	-----------

Recommended replacement(s)